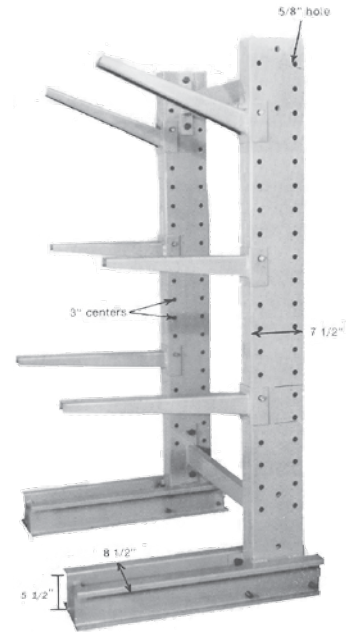




Height	Arms	Single Uprights			Double Uprights			Capacity per Side
		Model #	Base	Ship Wt.	Model #	Base	Ship Wt.	
6'	12"-18"	LDSS628	28"	97	LDDS644	44"	110	10,000 & 8,600#
6'	24"	LDSS634	34"	101	LDDS656	56"	119	7300#
6'	30"-36"	LDSS646	46"	110	LDDS680	80"	137	6,300 & 5,300#
6'	42"-48"	LDSS658	58"	119	LDDS6104	104"	155	5,000 & 4,300#
7'	12"-18"	LDSS728	28"	107	LDDS744	44"	120	10,000 & 8,600#
7'	24"	LDSS734	34"	111	LDDS756	56"	129	7300#
7'	30"-36"	LDSS746	46"	120	LDDS780	80"	147	6,300 & 5,300#
7'	42"-48"	LDSS758	58"	129	LDDS7104	104"	165	5,000 & 4,300#
8'	12"-18"	LDSS828	28"	117	LDDS844	44"	130	10,000 & 8,600#
8'	24"	LDSS834	34"	121	LDDS856	56"	139	7300#
8'	30"-36"	LDSS846	46"	130	LDDS880	80"	157	6,300 & 5,300#
8'	42"-48"	LDSS858	58"	139	LDDS8104	104"	175	5,000 & 4,300#
10'	12"-18"	LDSS1028	28"	140	LDDS1044	44"	153	10,000 & 8,600#
10'	24"	LDSS1034	34"	144	LDDS1056	56"	162	7300#
10'	30"-36"	LDSS1046	46"	153	LDDS1080	80"	180	6,300 & 5,300#
10'	42"-48"	LDSS1058	58"	163	LDDS10104	104"	198	5,000 & 4,300#
12'	12"-18"	LDSS1228	28"	148	LDDS1244	44"	163	10,000 & 8,600#
12'	24"	LDSS1234	34"	152	LDDS1256	56"	172	7300#
12'	30"-36"	LDSS1246	46"	161	LDDS1280	80"	190	6,300 & 5,300#
12'	42"-48"	LDSS1258	58"	170	LDDS12104	104"	209	5,000 & 4,300#

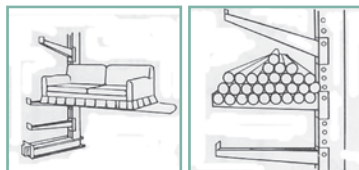
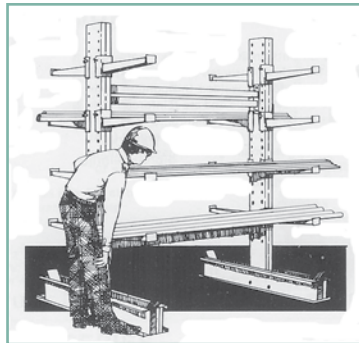


Light Duty Straight Arms				
Model #	Height	Length	Capacity	Ship Wt
LDSA12	2 3/4	12"	1200#	5
LDSA18	2 3/4	18"	1000#	7
LDSA24	2 3/4	24"	800#	8
LDSA30	2 3/4	30"	600#	10
LDSA36	2 3/4	36"	500#	11
LDSA42	2 3/4	42"	400#	12
LDSA48	2 3/4	48"	300#	14
SP LDSA48	3	48"	1000#	21

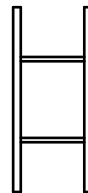
There is 3/8" per foot pitch on straight arms to compensate for deflection.

Light Duty Inclined Arms				
Model #	Height	Length	Capacity	Ship Wt
LDIA12	2 3/4	12"	1200#	6
LDIA18	2 3/4	18"	1000#	8
LDIA24	2 3/4	24"	800#	10
LDIA36	2 3/4	36"	500#	13
LDIA48	2 3/4	48"	300#	16

Add "L" to end of part # for lip  
Pipe Sockets available upon request - Pipe not included  
There is a 20 degree pitch on inclined arms.



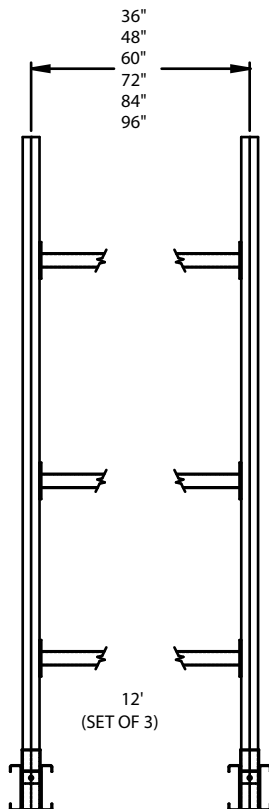
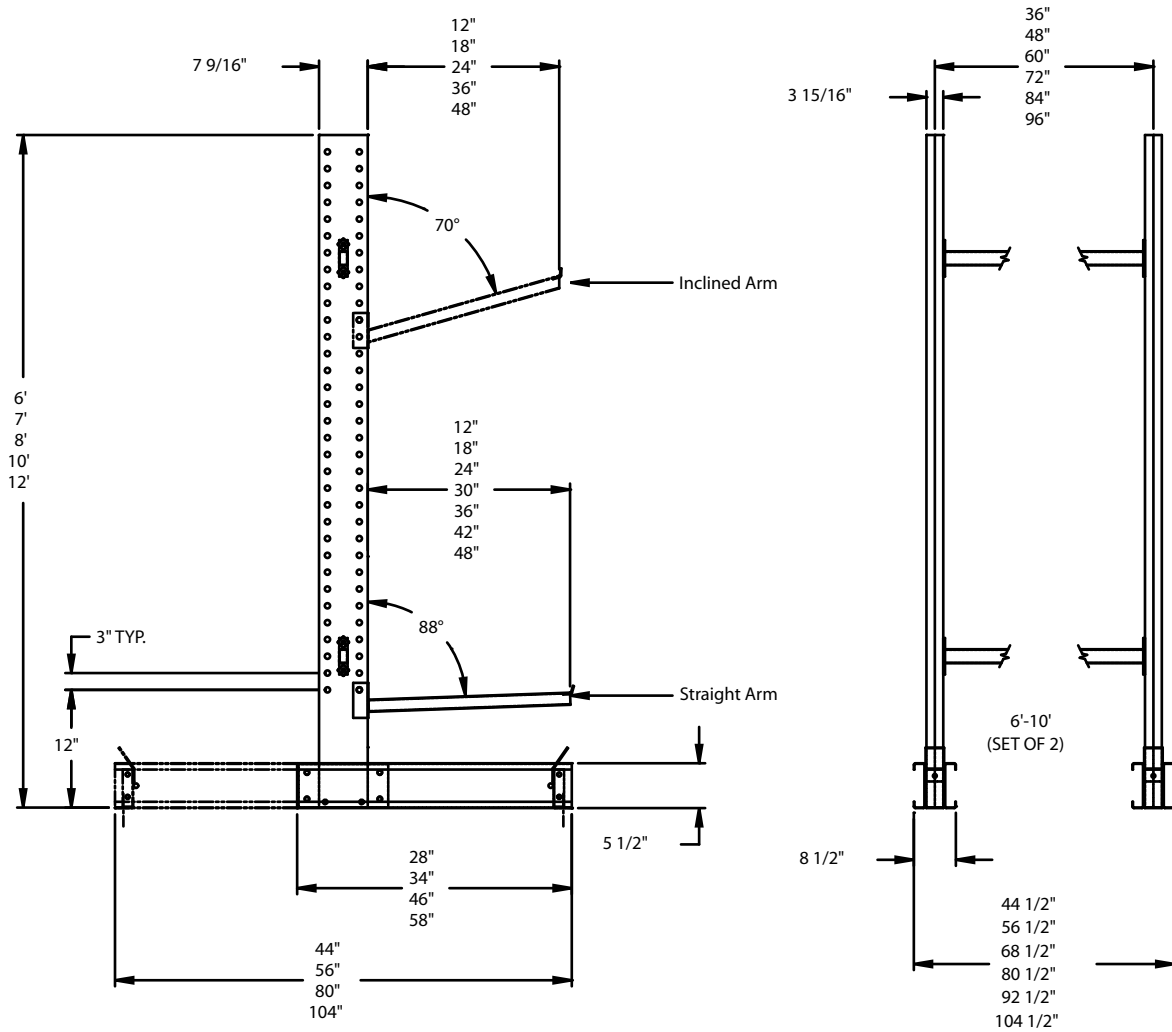
### Light Duty Horizontal Braces

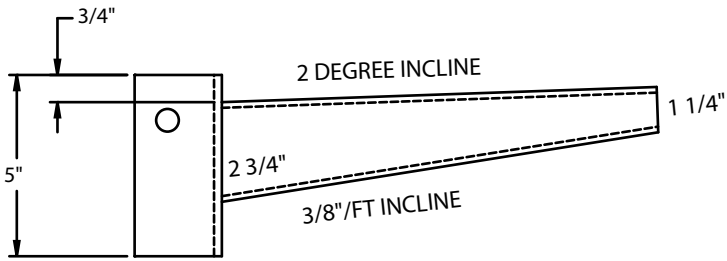


For 6' - 10' Uprights		
Model #	Length	Ship Wt
LDB236	36"	26
LDB248	48"	32
LDB260	60"	40
LDB272	72"	46
LDB284	84"	54
LDB296	96"	60

For 12' Uprights		
Model #	Length	Ship Wt
LDB336	36"	39
LDB348	48"	48
LDB360	60"	60
LDB372	72"	69
LDB384	84"	81
LDB396	96"	90

# LIGHT CANTILEVER

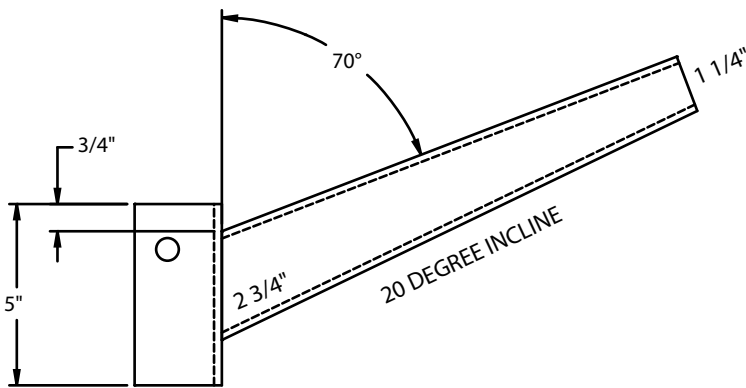




#### LIGHT DUTY STRAIGHT ARMS

MODEL No.	HEIGHT	LENGTH	CAPACITY	SHIP/WT.
LDSA12	2 3/4"	12"	1200#	5
LDSA18	2 3/4"	18"	1000#	7
LDSA24	2 3/4"	24"	800#	8
LDSA30	2 3/4"	30"	600#	10
LDSA36	2 3/4"	36"	500#	11
LDSA42	2 3/4"	42"	400#	12
LDSA48	2 3/4"	48"	300#	14

There is 3/8" per foot pitch on straight arms to compensate for deflection.



#### LIGHT DUTY INCLINED ARMS

MODEL No.	HEIGHT	LENGTH	CAPACITY	SHIP/WT.
LDISA12	2 3/4"	12"	1200#	6
LDISA18	2 3/4"	18"	1000#	8
LDISA24	2 3/4"	24"	800#	10
LDISA36	2 3/4"	36"	500#	13
LDISA48	2 3/4"	48"	300#	16

There is 3/8" per foot pitch on straight arms to compensate for deflection.

Add "L" to end of part Model No. for lip.

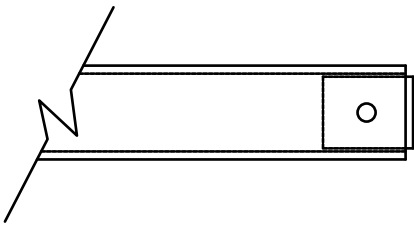
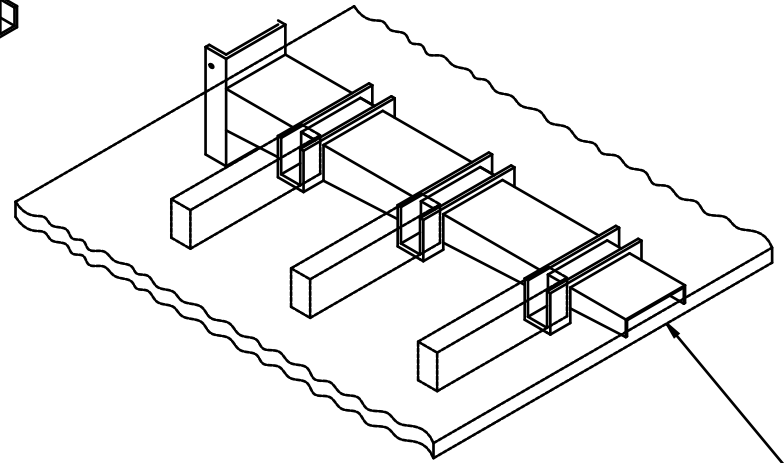
Pipe Sockets available upon request.

There is a 20 degree pitch in Inclined arms.

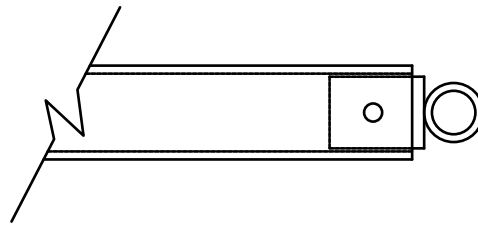
OPTIONAL  
ACCESSORIES

RETENTION PIPE (Ø3/4")

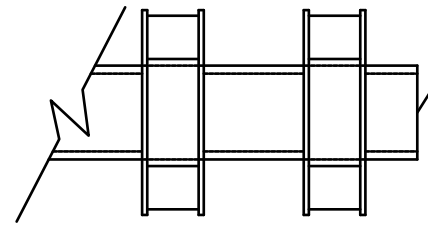
OPTIONAL  
PIPE SOCKET  
ON BASE



OPTIONAL  
BOLT-ON  
LIP



OPTIONAL  
BOLT-ON  
PIPE SOCKET  
(RETENTION PIPE Ø3/4")



OPTIONAL  
DROP-IN DECK  
SUPPORT SADDLES

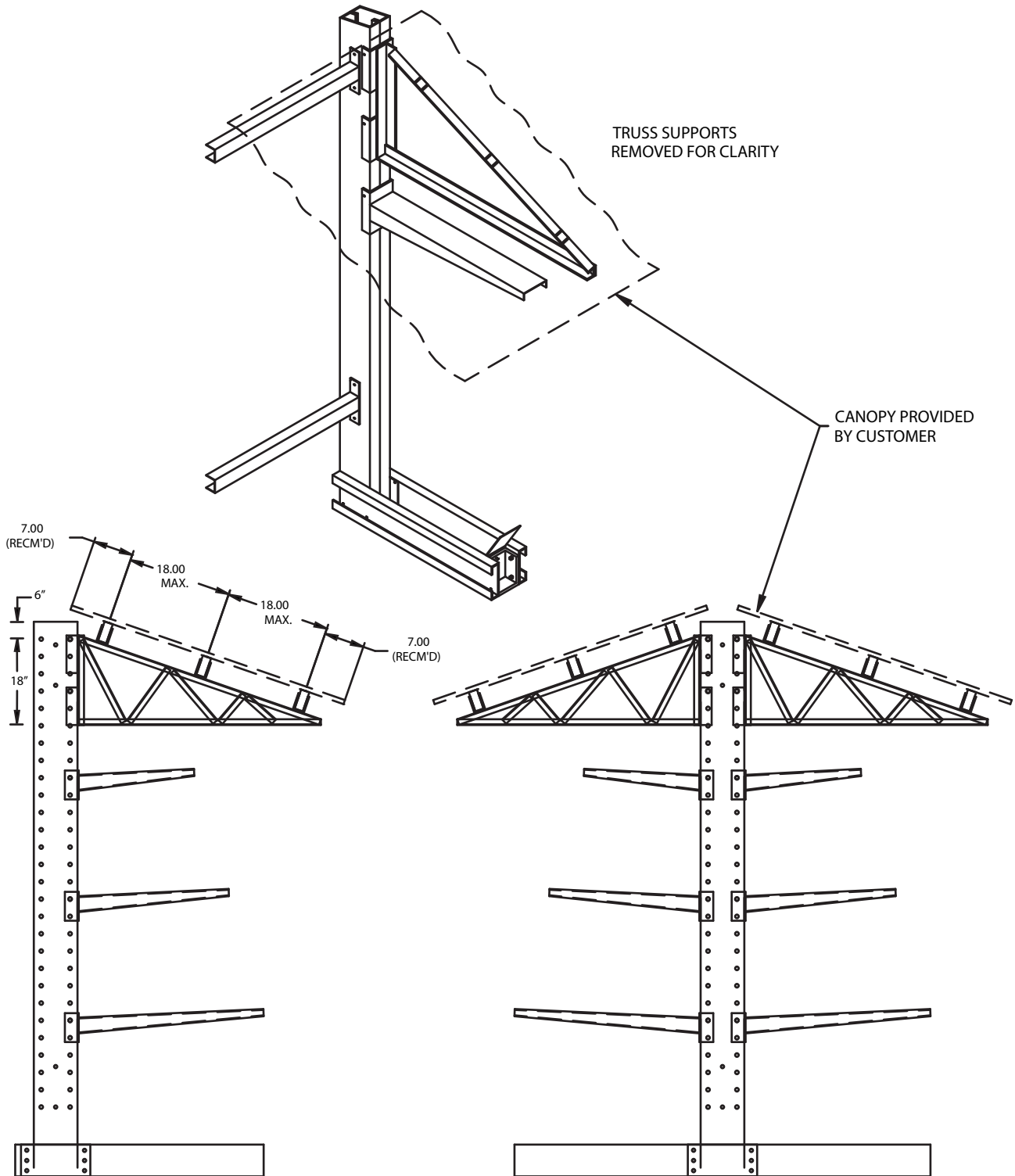


**WEST POINT RACK, INC.**

13591 Chandler St. • Omaha, NE 68138 • Ph: 866.245.3630

*"We don't just promise...we deliver!"*

# OUTDOOR STORAGE WITH OVERHEAD CANOPY



CANOPY SINGLE SIDE

CANOPY DOUBLE SIDE

INSTALL A CANOPY TO CONVERT A WEST POINT CANTILEVER RACK TO AN OUTDOOR STORAGE FACILITY. THIS SYSTEM CAN BE UTILIZED AS A SINGLE OR DOUBLE SIDED "ROOF" (DEPENDING ON LENGTH OF BASE USED). NOTE: THE USE OF CANOPY CAN SIGNIFICANTLY REDUCE THE RACK'S CAPACITY DUE TO WIND AND SNOW LOADS. WEST POINT RACK WILL DESIGN THE CANOPY SUPPORTS TO CONFORM WITH LOCAL WIND AND SNOW LOAD CONDITIONS.